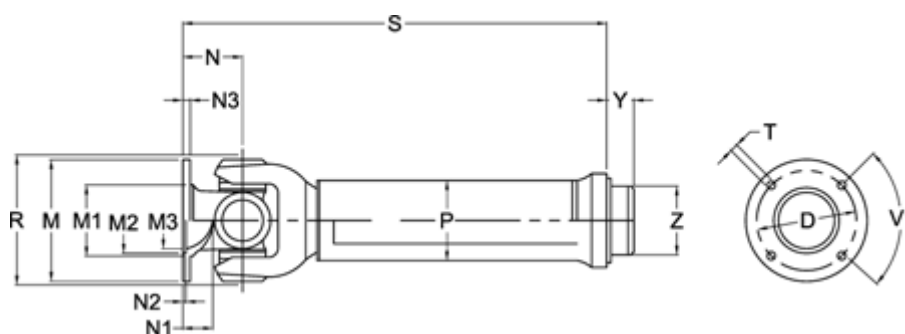


Article number: 071120750325120

Description: Cardan drive shaft 0.112.075.001  
S=325 X=120 Bore with keyway

## Measures



D	= 101,5 +/-0,1	N1	= 28	T	= 8 B12
Extension X	= 120	N2	= 2,5 +/-0,5	V1 degrees	= 45
Flange diameter M	= 120	N3	= 8	Y	= 20
M1	= 80.5	Number of Flangeholes	= 8	Z	= 52.25
M2	= 75	P	= 60x4		
M3	= 69	R1	= 115		
Max. Bending Angle degrees	= 35	S min	= 325		
N	= 70	Spline dim. DIN 5480	= 42x2x20		